

## Ceiling TV Mount | Back-to-Back | Dual Display



*Actual product may vary from image shown*

### User Manual

**SKU#: FPCEILBTB**

## Compliance Statements

### **Use of Trademarks, Registered Trademarks, and other Protected Names and Symbols**

This manual may make reference to trademarks, registered trademarks, and other protected names and/or symbols of third-party companies not related in any way to StarTech.com. Where they occur these references are for illustrative purposes only and do not represent an endorsement of a product or service by StarTech.com, or an endorsement of the product(s) to which this manual applies by the third-party company in question. Regardless of any direct acknowledgement elsewhere in the body of this document, StarTech.com hereby acknowledges that all trademarks, registered trademarks, service marks, and other protected names and/or symbols contained in this manual and related documents are the property of their respective holders.

# Safety Statements

## Safety Measures

- Product installation and/or mounting should be completed by a certified professional as per the local safety and building code guidelines.
- Cables (including power and charging cables) should be placed and routed to avoid creating electric, tripping or safety hazards.

## Mesures de sécurité

- L'installation et/ou le montage du produit doit être réalisé par un professionnel certifié et dans le respect des normes locales et du code de construction local.
- Les câbles (y compris les câbles d'alimentation et de chargement) doivent être placés et acheminés de façon à éviter tout risque électrique, de chute ou de sécurité

## 安全対策

- 製品の設置やマウントは、使用地域の安全ガイドラインおよび建築基準に従い、有資格の専門業者が行うようにしてください。
- ケーブル(電源ケーブルと充電ケーブルを含む)は、適切な配置と引き回しを行い、電気障害やつまづきの危険性など、安全上のリスクを回避するようにしてください。

## Misure di sicurezza

- L'installazione e/o il montaggio dei prodotti devono essere eseguiti da un tecnico professionale certificato che conosca le linee guida locali sulle norme edilizie e sulla sicurezza.
- I cavi (inclusi i cavi di alimentazione e di ricarica) devono essere posizionati e stesi in modo da evitare pericoli di inciampo, rischi di scosse elettriche o pericoli per la sicurezza.

## Säkerhetsåtgärder

- Installation och/eller montering får endast göras av behöriga yrkespersoner och enligt gällande lokala förordningar för säkerhet och byggnormer.
- Kablar (inklusive elkablar och laddningskablar) ska dras och placeras på så sätt att risk för snubblingsolyckor och andra olyckor kan undvikas.

## Warning Statements

- Make sure to assemble this product according to the instructions. Failure to do so might result in personal injury or property damage.
- Never operate this product if parts are missing or damaged.
- Ceiling structures vary, and it's important to make sure that the type of ceiling structure and mounting hardware that you're using will properly support the mounted equipment. Failure to do so may result in personal injury and/or equipment damage. The ceiling structure should be capable of supporting at least four times the weight of the mounted equipment.
- The mounting hardware included with this product might not be adequate for some ceiling structures. If you lack the necessary expertise to attach this product to the ceiling structure that you're using, contact a construction professional to install the ceiling mount or to provide specific mounting instructions for your ceiling structure.

## Varningsmeddelanden

- Se till att du monterar produkten i enlighet med instruktionerna. Om du inte gör det kan skada på person eller egendom uppstå.
- Använd aldrig produkten om delar saknas eller är skadade.
- Eftersom innertakstrukturer varierar är det viktigt att kontrollera att innertakstrukturer och monteringsutrustningen som du använder klarar av den monterade utrustningen. Om du inte gör det kan skada på person och/eller utrustning uppstå. Innertakstrukturer ska kunna klara av minst fyra gånger vikten av den monterade utrustningen.
- Monteringsutrustningen som medföljer produkten kanske inte är lämplig för vissa innertakstrukturer. Om du saknar nödvändiga kunskaper för att fästa denna produkt på innertakstrukturen som du använder, kontakta en professionell konstruktör för att installera utrustning eller för att ge specifika monteringsinstruktioner för din innertakstruktur.

## Avertissements

- Assemblez ce produit conformément aux instructions. Si vous ne respectez pas ces instructions, vous risquez de vous blesser ou d'endommager l'équipement.
- N'utilisez pas ce produit si des pièces sont endommagées ou manquantes.
- Les types de plafonds varient. Vous devez impérativement vérifier que le type de plafond et le matériel de fixation que vous utilisez permettent de soutenir correctement l'équipement. Dans le cas contraire, vous risquez des blessures corporelles ou des dommages matériels. La structure du plafond doit pouvoir supporter au moins quatre fois le poids de l'équipement monté.
- Le matériel de fixation inclus avec ce produit n'est pas forcément approprié pour tous les types de plafond. Si vous ne disposez pas des compétences nécessaires pour installer ce produit au plafond, contactez un professionnel afin qu'il installe l'équipement ou qu'il vous fournisse les instructions de montage spécifiques à votre type de plafond..

## Warnhinweise

- Zorg dat dit product volgens de instructies in elkaar wordt gezet. Indien dit niet goed gebeurt kan lichamelijk letsel of materiële schade ontstaan.
- Gebruik dit product nooit als er onderdelen ontbreken of beschadigd zijn.
- Omdat plafonds verschillen, is het belangrijk dat u ervoor zorgt dat de plafondstructuur en de montagemiddelen die u gebruikt de te monteren apparatuur goed ondersteunen. Indien u dit niet doet kan lichamelijk letsel en/of schade aan de apparatuur ontstaan. De plafondstructuur moet voldoende zijn om ten minste vier keer het gewicht van de gemonteerde apparatuur te ondersteunen.
- Het kan zijn dat de bij dit product geleverde montagemiddelen niet geschikt zijn voor sommige plafondstructuren. Als u onvoldoende kennis hebt om dit product aan de door u gebruikte plafondstructuur te bevestigen, neem dan contact op met een bouwkundige om de steun aan de muur te installeren of specifieke montage-instructies voor uw plafondstructuur te geven.

## Dichiarazioni di avvertenza

- Assemblare il prodotto rispettando le istruzioni. Il mancato rispetto delle istruzioni potrebbe causare danni a persone o proprietà.
- Non utilizzare il prodotto in presenza di parti mancanti o danneggiate.
- Le caratteristiche il soffitto sono variabili ed è importante verificare che il soffitto e l'hardware di montaggio in uso siano in grado di supportare adeguatamente le apparecchiature montate. Il mancato rispetto delle istruzioni potrebbe causare danni a persone o proprietà. Il soffitto deve essere in grado di supportare un peso almeno quattro volte superiore a quello dell'apparecchiatura montata.
- L'hardware di montaggio incluso con il prodotto potrebbe non essere adeguato ad alcun soffitto. Se l'utente non dispone delle competenze necessarie per agganciare il prodotto al soffitto in uso, dovrà contattare un professionista edile per installare il supporto a parete o ottenere istruzioni di montaggio per il soffitto in uso.

## Mensagens de aviso

- Certifique-se de que monta este produto de acordo com as instruções. O incumprimento pode resultar em ferimentos pessoais ou danos de propriedade.
- Nunca opere este produto se faltarem peças ou estas estiverem danificadas.
- As estruturas do teto variam e é importante certificar-se de que o tipo de estrutura do teto e hardware de montagem que está a usar irá suportar devidamente o equipamento montado. O incumprimento pode resultar em ferimentos pessoais e/ou danos no equipamento. A estrutura do teto deve ser capaz de suportar pelo menos quatro vezes o peso do equipamento montado.
- O hardware de montagem incluído com este produto pode não ser adequado para algumas estruturas do teto. Se não tiver o conhecimento necessário para fixar este produto à estrutura do teto que está a usar, contacte um profissional de construção para fazer a instalação no teto ou para fornecer instruções de montagem específicas para a sua estrutura do teto.

## Advertencias de uso

- Asegúrese de ensamblar este producto según las instrucciones. De lo contrario, pueden producirse lesiones personales o daños de propiedad.
- Nunca opere o ponga en funcionamiento este producto si faltan piezas o hay daños en las mismas.
- Las estructuras de los falsos techos pueden variar y, por tanto, es importante

determinar con certeza que el tipo de estructura del falso techo y el hardware de montaje que se va a utilizar para soportar debidamente el equipo. De lo contrario, se pueden producir lesiones personales o daños en el mismo. La estructura del falso techo debe ser capaz de soportar al menos cuatro veces el peso del componente instalado.

- El hardware de montaje incluido con este producto puede no ser adecuado para algunas estructuras de falso techo. Si no tiene la experiencia suficiente para fijar este producto a la estructura del falso techo correspondiente, póngase en contacto con un profesional de la construcción para instalar el soporte de falso techo o para que le proporcione las instrucciones específicas de montaje para su estructura de falso techo..

## Waarschuwingen

- Zorg dat dit product volgens de instructies in elkaar wordt gezet. Indien dit niet goed gebeurt kan lichamelijk letsel of materiële schade ontstaan.
- Gebruik dit product nooit als er onderdelen ontbreken of beschadigd zijn.
- Omdat plafonds verschillen, is het belangrijk dat u ervoor zorgt dat de plafondstructuur en de montagemiddelen die u gebruikt de te monteren apparatuur goed ondersteunen. Indien u dit niet doet kan lichamelijk letsel en/of schade aan de apparatuur ontstaan. De plafondstructuur moet voldoende zijn om ten minste vier keer het gewicht van de gemonteerde apparatuur te ondersteunen.
- Het kan zijn dat de bij dit product geleverde montagemiddelen niet geschikt zijn voor sommige plafondstructuren. Als u onvoldoende kennis hebt om dit product aan de door u gebruikte plafondstructuur te bevestigen, neem dan contact op met een bouwkundige om de steun aan de muur te installeren of specifieke montage-instructies voor uw plafondstructuur te geven.

## 注意

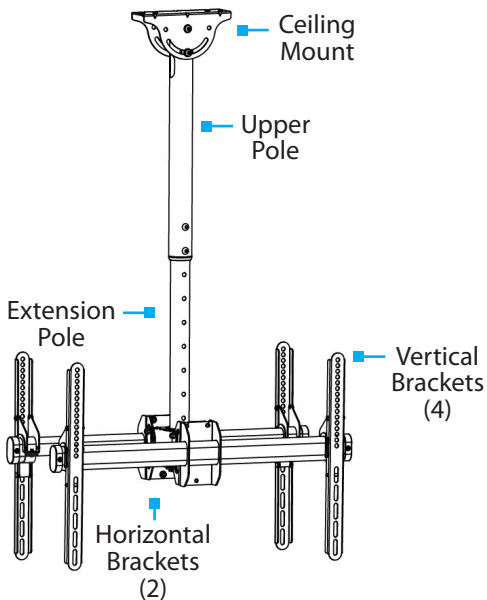
- 必ず取扱説明書に従って本製品の組み立てを行って下さい。
- 本製品は、室内での使用を想定しています。戸外では使用しないで下さい。
- 本製品は、非常に重いエンクロージャです。絶対に一人で持ち上げたり動かしたりしないで下さい。
- 転倒注意!本製品から複数のコンポーネントが突き出した状態にしておくとうエンクロージャが転倒する恐れがあります。転倒リスクを回避するために、エンクロージャからはコンポーネントが突き出ないようにして下さい。
- 本製品の上にも何も載せないで下さい。複数のエンクロージャを重ねて設置しないで下さい。
- 液体物をエンクロージャに近づけないようにして下さい。
- エンクロージャ自身と中に積載する装置の総重量に耐えられるエリアに設置して下さい。
- この製品にはアースが必要です。アース接続をしていない状態で本製品を使用しないでください。



# Table of Contents

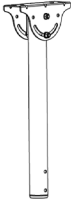



<b>Compliance Statements .....</b>	<b>1</b>
<b>Safety Statements .....</b>	<b>2</b>
<b>Warning Statements .....</b>	<b>3</b>
<b>Product Diagram .....</b>	<b>9</b>
<b>Product Information .....</b>	<b>10</b>
Package Contents .....	10
Specifications.....	14
Requirements.....	15
<b>Installation .....</b>	<b>16</b>
Mounting the Ceiling Mount and Upper Pole Assembly.....	16
<b>Assembly .....</b>	<b>16</b>
Attaching the Extension Pole to the Upper Pole.....	16
Attaching the Horizontal Bracket.....	18
Selecting the Appropriate Mounting Hardware.....	19
Attaching the Vertical Brackets to a TV .....	22
Attaching the Vertical Brackets to a TV Using Spacers.....	23
Attaching the TVs to the Horizontal Bracket.....	24
<b>Adjusting the TVs .....</b>	<b>26</b>
Adjusting the tilt.....	26
Adjusting the Swivel .....	27
Adjusting the Vertical Position of the Ceiling TV Mount.....	27

## Product Diagram

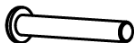


## Product Information

### Package Contents

<p><b>1</b></p>  <p><i>Ceiling Mount and Upper Pole</i></p> <p><b>Qty: 1</b></p>	<p><b>2</b></p>  <p><i>Extension Pole</i></p> <p><b>Qty: 1</b></p>
<p><b>3</b></p>  <p><i>Vertical Bracket</i></p> <p><b>Qty: 4</b></p>	<p><b>4</b></p>  <p><i>Horizontal Bracket</i></p> <p><b>Qty: 2</b></p>

5



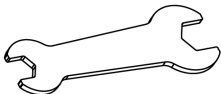
*Bolts*  
**Qty: 2**

6



*Nuts*  
**Qty: 2**

7



*Wrench*  
**Qty: 1**

8



*Hex Key*  
**Qty: 1**

9



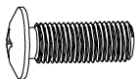
*Mounting Template*  
**Qty: 1**

10



*M5x14 mm Screws*  
**Qty: 8**

11



*M6x14 mm Screws*

*Qty: 8*

12



*M6x30 mm Screws*

*Qty: 8*

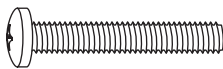
13



*M8x30 mm Screws*

*Qty: 8*

14



*M8x50 mm Screws*

*Qty: 8*

15



*Rectangular Washers*

*Qty: 8*

16



*Short Spacers*

*Qty: 16*

17



*Long Spacers*

Qty: 16

18



*6.3x55 mm Screws*

Qty: 4

19



*Concrete Anchors*

Qty: 4

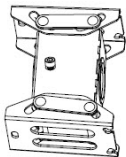
20



*Flat Washers*

Qty: 4

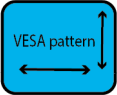

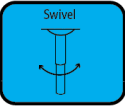
21

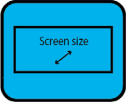
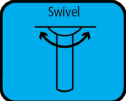


*Mounting Bracket*

Qty: 1

## Specifications

Type of Measurement		Measurement
VESA mounting hole pattern		200x200 300x300 400x200 400x400 600x400
Weight capacity		Up to 99 lb. per mount (45 kg per mount)
Tilt		+5° to -20°
Extension pole swivel		+180° to -180°
Extension		42" to 61" (1060 to 1560 mm)
Level adjustment		+3° to -3°

Screen size		32" to 75" (813 to 1905 mm)
Ceiling plate swivel		-60° to +60°

## Requirements

Requirements are subject to change. For the latest requirements, please visit [www.StarTech.com/FPCEILBTB](http://www.StarTech.com/FPCEILBTB)

- Flat-panel TV (max. 75", VESA mount compatible) x 2
- Phillips Head Screwdriver x 1



## Installation

### Mounting the Ceiling Mount and Upper Pole Assembly

**Notes:** Product mounting should be completed by a certified professional as per the local safety and building code guidelines.

*Ceiling structures vary, and it's important to make sure that the type of structure and mounting hardware that you're using will properly support the mounted equipment. Failure to do so may result in personal injury and/or equipment damage.*

1. Before installing the **Ceiling TV Mount** onto the mounting surface, contact a professional.
2. After consulting a professional, the **Ceiling Mount** and **Upper Pole Assembly** can be mounted using the **Mounting Hardware** included.

**Note:** The mounting hardware provided may not be suitable for all ceiling structures.

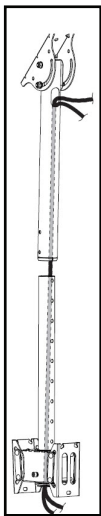
## Assembly

### Attaching the Extension Pole to the Upper Pole

1. Align the hole in the **Mounting Bracket** with the **Extension Pole** and slide the **Mounting Bracket** down to the bottom of the **Extension Pole**.
2. Feed the **TV Cables** through the **Cable Hole** in the **Upper Pole** and into the **Extension Pole**.

**Note:** At this step in the installation process, the **Upper Pole** is not attached to the **Extension Pole**.

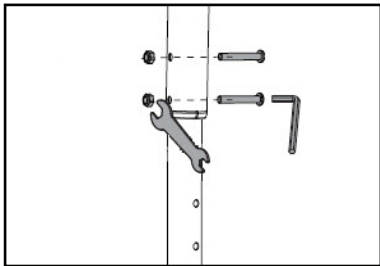
3. Feed the **TV Cables** through the **Extension Pole**, and out the **Cable Hole** in the bottom of the **Extension Pole**.



*Feeding the TV Cables through the Poles*

4. Slide the **Extension Pole** into the **Upper Pole**, until the **Extension Pole** is at the desired height.
5. Align the **Adjustment Holes** on the **Extension Pole** with the **Adjustment Holes** on the **Upper Pole**.

6. Insert two **Bolts** through the **Adjustment Holes** on the **Upper Pole** and into the **Adjustment Holes** on the **Extension Pole**.

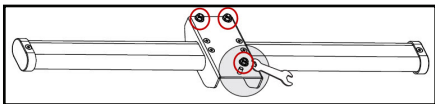


*Installing the Nuts/Bolts through the Adjustment Holes*

7. Screw one **Nut** onto the end of each of the **Bolts** and use the **Wrench** to hold the **Nuts** in place while using the **Hex Key** to tighten the **Bolts**.

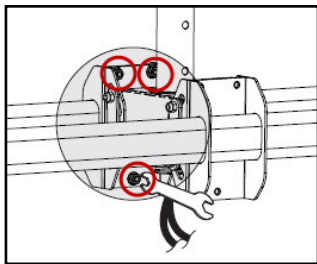
## Attaching the Horizontal Bracket

1. Using a **Wrench**, remove the **Retainer Nut** and loosen the other two **Nuts** on the **Horizontal Bracket**.



*Removing the Retainer Nut and Loosen the two other Nuts*

2. Align the three **Threaded Studs** on the **Horizontal Bracket** with the **Mounting Hole** and **Mounting Slots** on the **Mounting Bracket**.
3. Reattach the **Retainer Nut** removed in Step 1 and use a **Wrench** to tighten the **Retainer Nut** and the other two **Nuts** that were loosened in Step 1.







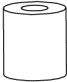

*Attaching the Mounting Bracket to the Horizontal Bracket*





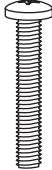
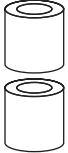
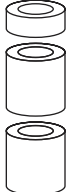
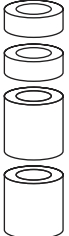
4. Repeat Steps 1 - 3 to install the other **Horizontal Bracket**.

## Selecting the Appropriate Mounting Hardware

- Determine if the back of the TV is flush or inset.
- Determine the depth of the mounting holes on the TV.
- Determine the diameter of the mounting holes on the TV.

**Note:** If you're using a TV with a flush mounting surface, you don't need to use any of the provided spacers.

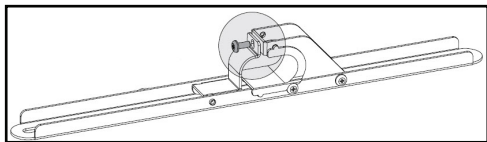
Screw	Spacer Combination		
<i>Flush Mounting Surface</i>			
 <b>M5x14 mm</b>	N/A		
 <b>M6x14 mm</b>	N/A		
<i>Inset Mounting Surface</i>			
 <b>M6x30 mm</b>			

 <p><i>M8x30 mm</i></p>			
 <p><i>M8x50 mm</i></p>			

## Attaching the Vertical Brackets to a TV

**Warning!** Do not over-tighten the screws. If you encounter resistance while you are installing the screws, stop tightening. Failure to do so could result in damage to the TV.

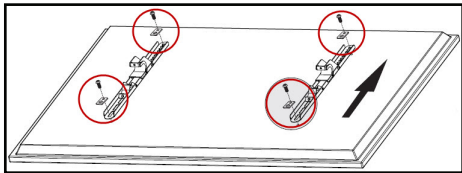
1. Using a **Phillips Head Screwdriver**, remove the **Bracket Screw** from the **Hinge** on each of the **Vertical Brackets** and open the **Hinge**.



*Removing Bracket Screw*

2. Place the **TV** on a secure flat surface with the screen facing down. Align the **Mounting Holes** on the **Vertical Brackets** with the **Mounting Holes** on the back of the **TV**. Make sure that the **Hinges** on the **Vertical Brackets** open downward.
3. Align one **Washer** (use the appropriate **Washer** hole size) over each of the **Mounting Holes** on the **Vertical Brackets**.

4. Insert the **Screws** through the **Washers** and **Vertical Brackets**, and into the back of the **TV**.



*Attaching the Vertical Brackets*

5. Use a **Phillips Head Screwdriver** to tighten the **Screws**. Be careful not to over-tighten the **Screws**.

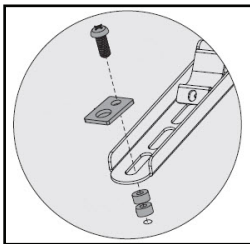
## Attaching the Vertical Brackets to a TV Using Spacers

If you're attaching a **TV** with an inset mounting surface:

1. Place the **TV** on a secure flat surface with the screen facing down. Align the **Mounting Holes** on the **Vertical Brackets** with the **Mounting Holes** on the back of the **TV**.
2. Align four **Washers** (use the appropriate **Washer** hole size) with the **Mounting Holes** on the **Vertical Brackets**. Make sure that the **Hinge** on each of the **Vertical Brackets** opens downward.



3. Insert the **Screws** through the **Washers, Vertical Brackets,** and **Spacers** and into the back of the **TV**.



*Using Spacers*

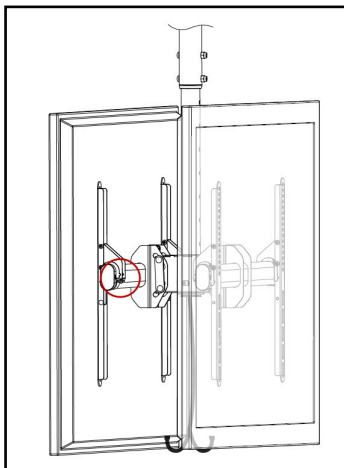
4. Use a **Phillips Head Screwdriver** to tighten the **Screws**. Be careful not to over-tighten the **Screws**.

## Attaching the TVs to the Horizontal Bracket

**Warning!** Attaching the **TVs** is a two-person job. Do not attempt to hang the **TVs** by yourself.

1. Carefully lift up the **TV** and hook the **Vertical Brackets** onto the **Horizontal Bracket**, making sure the **Hinge** on the **Vertical Bracket** is at the bottom of the **Horizontal Bracket**.

2. Close both **Hinges** on the **Vertical Brackets**, and use a **Phillips Head Screwdriver** to fasten the **Bracket Screws** removed from the **Hinges**.



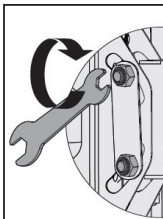
*TVs Mounted*

3. Repeat Steps 1 - 2 to hang the second **TV**.

## Adjusting the TVs

### Adjusting the tilt

1. Using a **Wrench**, loosen the two **Nuts** on the side of the **Horizontal Bracket**.

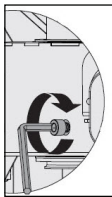


*Using a Wrench to loosen the Nuts*

2. Adjust the **TV** to the position that you want it in, then tighten the two **Nuts**.

## Adjusting the Swivel

1. Using a **Hex Key** loosen the **Retainer Bolt** on the back of the **Horizontal Bracket**.



*Using a Hex Key to Loosen the Retainer Bolt*

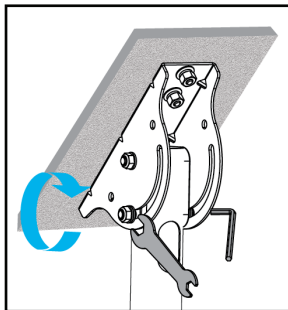
2. Adjust the **TV** to the position that you want it in, and then tighten the **Retainer Bolt**.

## Adjusting the Vertical Position of the Ceiling TV Mount

This adjustment is recommended for sloped ceiling types only and adjusts the angle of the **Ceiling Mount** relative to the **Pole Assembly**.

1. Attach the **Wrench** to the **Nut** and insert the **Allen Key** into the **Bolt** opposite the **Nut** on the **Ceiling Mount**.
2. Loosen the **Bolt** and slide the **Upper Pole** to the desired position.

3. Re-tighten the **Nut** and **Bolt**.



*Adjusting the vertical position*

## Warranty Information

This product is backed by a two-year warranty.

For further information on product warranty terms and conditions, please refer to [www.startech.com/warranty](http://www.startech.com/warranty).

## Limitation of Liability

In no event shall it be the liability of StarTech.com Ltd. and StarTech.com USA LLP (or their officers, directors, employees or agents) for any damages (whether direct or indirect, special, punitive, incidental, consequential, or otherwise), loss of profits, loss of business, or any pecuniary loss, arising out of or related to the use of the product exceed the actual price paid for the product.

Some states do not allow the exclusion or limitation of incidental or consequential damages. If such laws apply, the limitations or exclusions contained in this statement may not apply to you.

## Hard-to-find made easy. At StarTech.com, that isn't a slogan. It's a promise.

StarTech.com is your one-stop source for every connectivity part you need. From the latest technology to legacy products — and all the parts that bridge the old and new — we can help you find the parts that connect your solutions.

We make it easy to locate the parts, and we quickly deliver them wherever they need to go. Just talk to one of our tech advisors or visit our website. You'll be connected to the products you need in no time.

Visit [www.startech.com](http://www.startech.com) for complete information on all StarTech.com products and to access exclusive resources and time-saving tools.

StarTech.com is an ISO 9001 Registered manufacturer of connectivity and technology parts. StarTech.com was founded in 1985 and has operations in the United States, Canada, the United Kingdom and Taiwan servicing a worldwide market.

### Reviews

Share your experiences using StarTech.com products, including product applications and setup, what you love about the products, and areas for improvement.

#### StarTech.com Ltd.

45 Artisans Cres.  
London, Ontario  
N5V 5E9  
Canada

FR: [fr.startech.com](http://fr.startech.com)

DE: [de.startech.com](http://de.startech.com)

#### StarTech.com LLP

2500 Creekside Pkwy.  
Lockbourne, Ohio  
43137  
U.S.A.

ES: [es.startech.com](http://es.startech.com)

NL: [nl.startech.com](http://nl.startech.com)

#### StarTech.com Ltd.

Unit B, Pinnacle  
15 Gowerton Rd.,  
Brackmills  
Northampton  
NN4 7BW  
United Kingdom

IT: [it.startech.com](http://it.startech.com)

JP: [jp.startech.com](http://jp.startech.com)